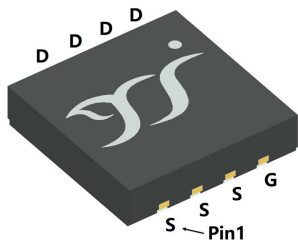
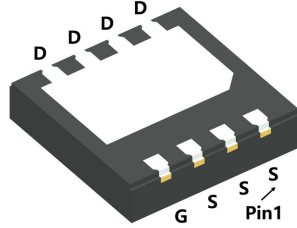


N-Channel Enhancement Mode Field Effect Transistor

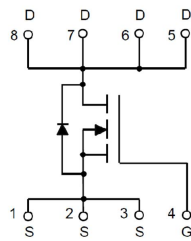


Top View

DFN3333-8L-WF



Bottom View



Product Summary

- V_{DS} 100V
- I_D 40A
- $R_{DS(ON)}$ (at $V_{GS}=10V$) $< 18m\Omega$
- $R_{DS(ON)}$ (at $V_{GS}=4.5V$) $< 22.5m\Omega$
- 100% EAS Tested
- 100% ∇V_{DS} Tested

General Description

- Excellent package for heat dissipation
- High density cell design for low $R_{DS(ON)}$
- Moisture Sensitivity Level 1
- Epoxy Meets UL 94 V-0 Flammability Rating
- Halogen Free
- Part no. with suffix "Q" means AEC-Q101 qualified

Applications

- Power switching application
- Uninterruptible power supply
- DC-DC convertor
- 12V,24V and 48V Automotive systems

■ Absolute Maximum Ratings ($T_J=25^\circ C$ unless otherwise noted)

Parameter		Symbol	Limit	Unit		
Drain-source Voltage		V_{DS}	100	V		
Gate-source Voltage		V_{GS}	± 20	V		
Continuous Drain Current (Note 1,2)	Steady-State	$T_A=25^\circ C, V_{GS}=10V$	8	A		
		$T_A=100^\circ C, V_{GS}=10V$	5.6			
Continuous Drain Current (Note 1,3)	Steady-State	$T_C=25^\circ C, V_{GS}=10V$	40			
		$T_C=100^\circ C, V_{GS}=10V$	28			
Pulsed Drain Current	$T_C=25^\circ C, t_p=100\mu s$		I_{DM}	150	A	
Avalanche energy		$V_G=10V, R_G=25\Omega, L=1mH, I_{AS}=11.6A$		EAS	67.28	mJ
Total Power Dissipation (Note 1,2)	Steady-State	$T_A=25^\circ C$	P_D	2.5	W	
		$T_A=100^\circ C$		1.25		
Total Power Dissipation (Note 1,3)	Steady-State	$T_C=25^\circ C$		65		
		$T_C=100^\circ C$		32		
Junction and Storage Temperature Range		T_J, T_{STG}	-55~+175	$^\circ C$		

■ Thermal resistance

Parameter		Symbol	Typ	Max	Units
Thermal Resistance Junction-to-Ambient (Note 2)	Steady-State	$R_{\theta JA}$	50	60	$^\circ C/W$
Thermal Resistance Junction-to-Case	Steady-State	$R_{\theta JC}$	1.9	2.3	

■ Ordering Information (Example)

PREFERRED P/N	PACKING CODE	Marking	MINIMUM PACKAGE(pcs)	INNER BOX QUANTITY(pcs)	OUTER CARTON QUANTITY(pcs)	DELIVERY MODE
YJQ018G10AHQ	F1	Q018G10A	5000	10000	100000	13" reel



YJQ018G10AHQ

■ Electrical Characteristics (T_J=25°C unless otherwise noted)

Parameter	Symbol	Conditions	Min	Typ	Max	Units
Static Parameter						
Drain-Source Breakdown Voltage	BV _{DSS}	V _{GS} = 0V, I _D =250μA	100	-	-	V
Zero Gate Voltage Drain Current	I _{DSS}	V _{DS} =100V, V _{GS} =0V	-	-	1	μA
		V _{DS} =100V, V _{GS} =0V, T _J =125°C	-	-	100	
Gate-Body Leakage Current	I _{GSS}	V _{GS} = ±20V, V _{DS} =0V	-	-	±100	nA
Gate Threshold Voltage	V _{GS(th)}	V _{DS} = V _{GS} , I _D =250μA	1.3	1.8	2.3	V
Static Drain-Source On-Resistance	R _{DS(on)}	V _{GS} =10V, I _D =20A	-	13.5	18	mΩ
		V _{GS} =4.5V, I _D =20A	-	17	22.5	mΩ
Diode Forward Voltage	V _{SD}	I _S =20A, V _{GS} =0V	-	-	1.2	V
Gate resistance	R _G	f=1MHz	-	1.2	-	Ω
Maximum Body-Diode Continuous Current	I _S		-	-	40	A
Dynamic Parameters						
Input Capacitance	C _{iss}	V _{DS} =50V, V _{GS} =0V, f=1MHz	-	1170	-	pF
Output Capacitance	C _{oss}		-	340	-	
Reverse Transfer Capacitance	C _{rss}		-	12	-	
Switching Parameters						
Total Gate Charge	Q _g	V _{GS} =10V, V _{DS} =50V, I _D =20A	-	19.8	-	nC
Gate-Source Charge	Q _{gs}		-	2.2	-	
Gate-Drain Charge	Q _{gd}		-	2	-	
Reverse Recovery Charge	Q _{rr}	I _F =20A, di/dt=100A/us	-	41.3	-	nC
Reverse Recovery Time	t _{rr}		-	37.1	-	ns
Turn-on Delay Time	t _{D(on)}	V _{GS} =10V, V _{DD} =50V, I _D =20A R _{GEN} =2.7Ω	-	10.2	-	ns
Turn-on Rise Time	t _r		-	3.6	-	
Turn-off Delay Time	t _{D(off)}		-	22.9	-	
Turn-off fall Time	t _f		-	4.6	-	

Note:

- The entire application environment impacts the thermal resistance values shown, they are not constants and are only valid for the particular conditions noted.
- The value of R_{θJA} is measured with the device mounted on the 40mm*40mm*1.1mm single layer FR-4 PCB board with 1 in² pad of 2oz. Copper, in the still air environment with T_A =25°C. The maximum allowed junction temperature of 175°C. The value in any given application depends on the user's specific board design.
- Thermal resistance from junction to soldering point (on the exposed drain pad).



YJQ018G10AHQ

Typical Electrical and Thermal Characteristics Diagrams

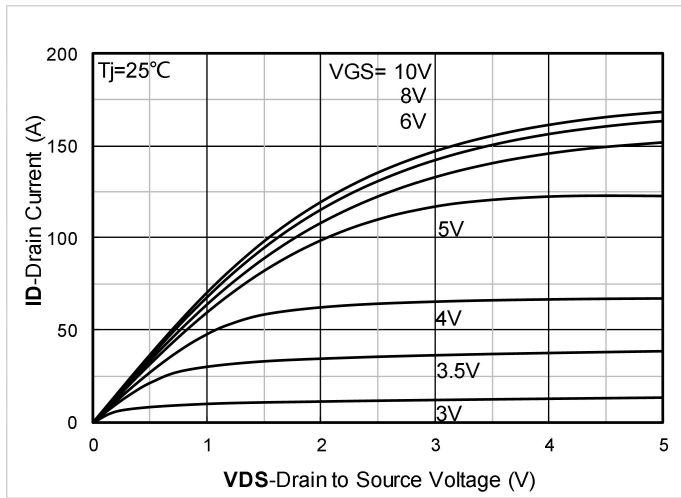


Figure 1. Output Characteristics

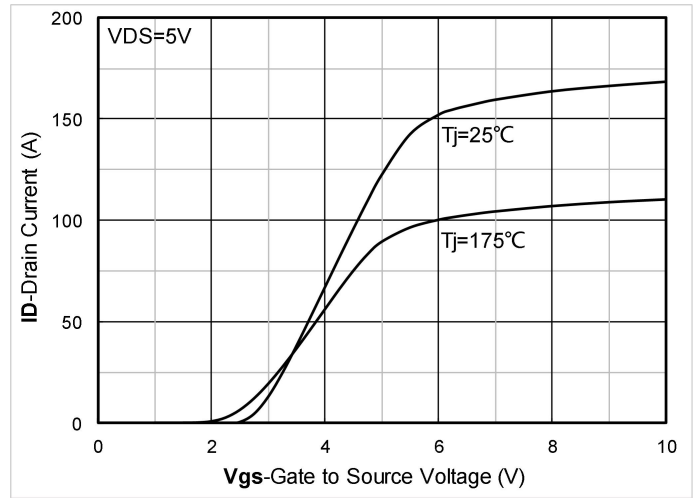


Figure 2. Transfer Characteristics

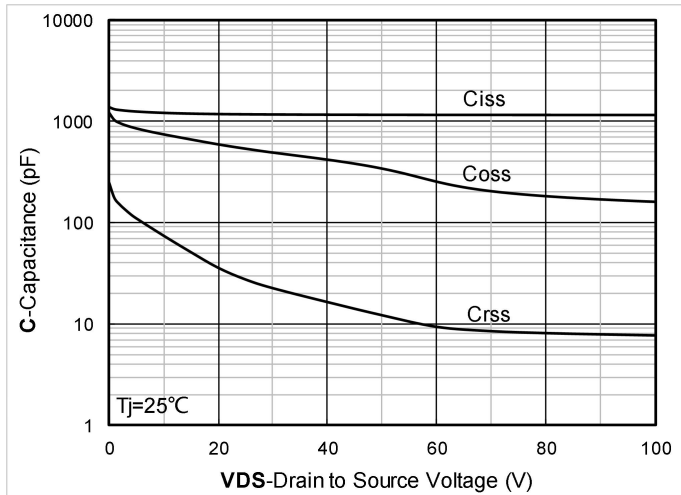


Figure 3. Capacitance Characteristics

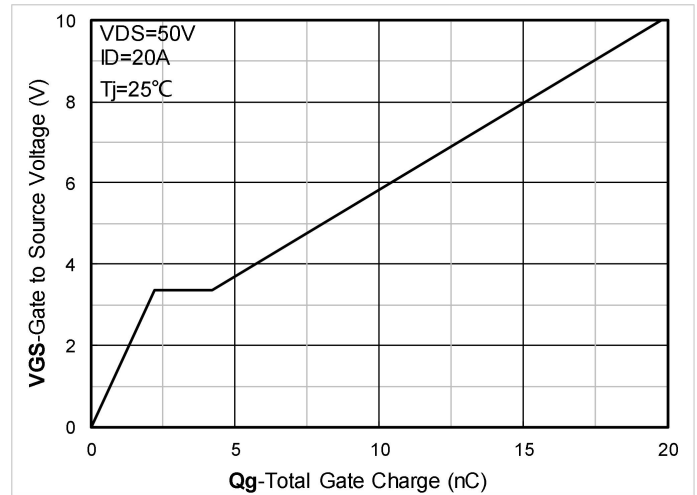


Figure 4. Gate Charge

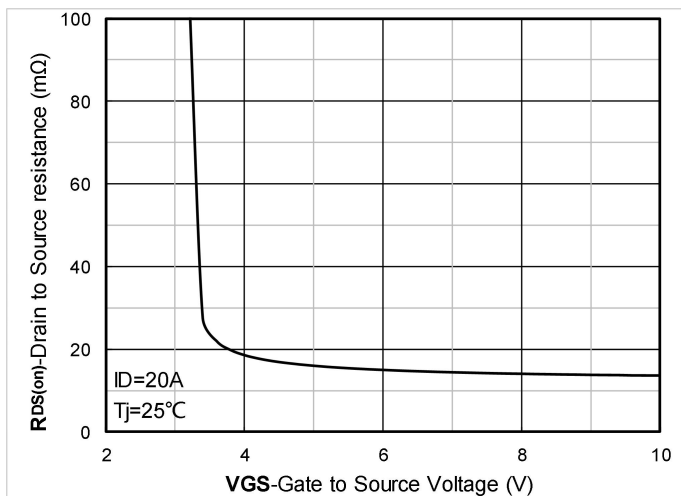


Figure 5. On-Resistance vs Gate to Source Voltage

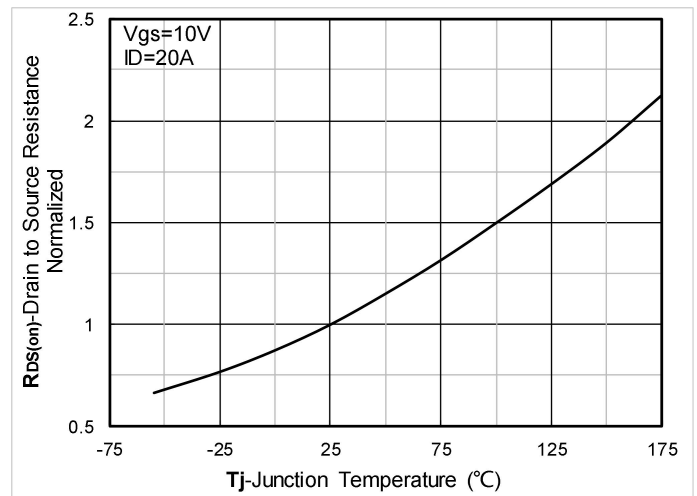


Figure 6. Normalized On-Resistance



YJQ018G10AHQ

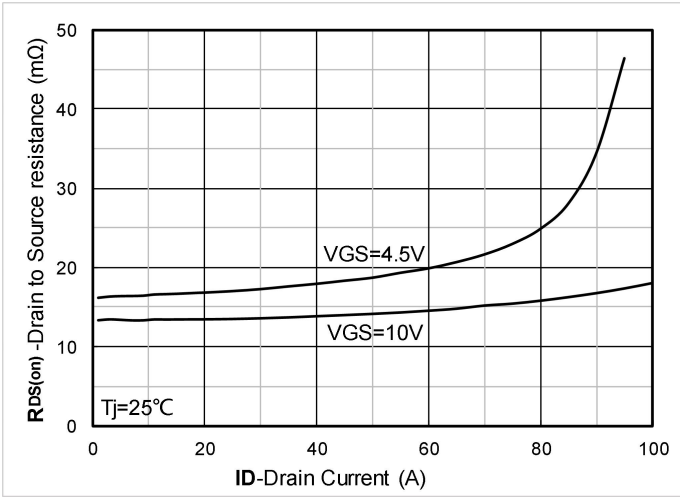


Figure 7. RDS(on) VS Drain Current

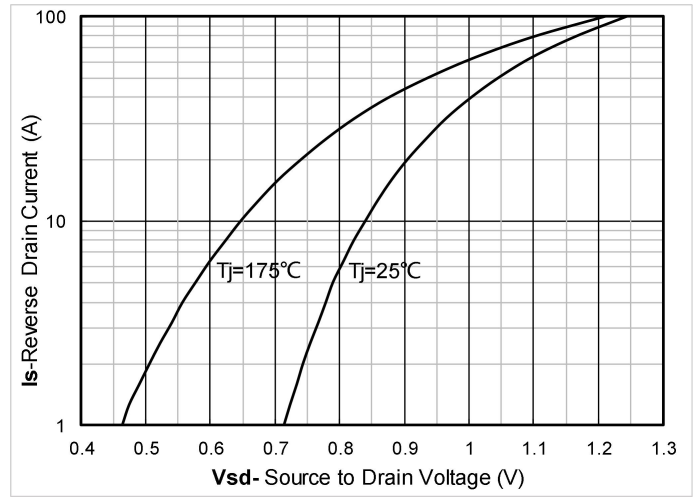


Figure 8. Forward characteristics of reverse diode

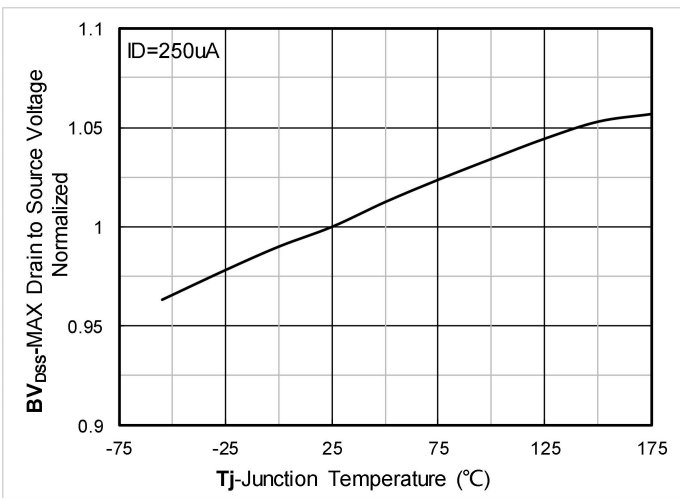


Figure 9. Normalized breakdown voltage

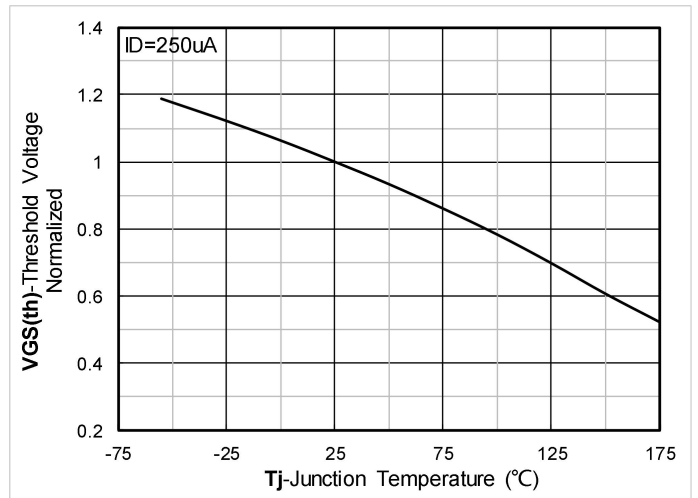


Figure 10. Normalized Threshold voltage

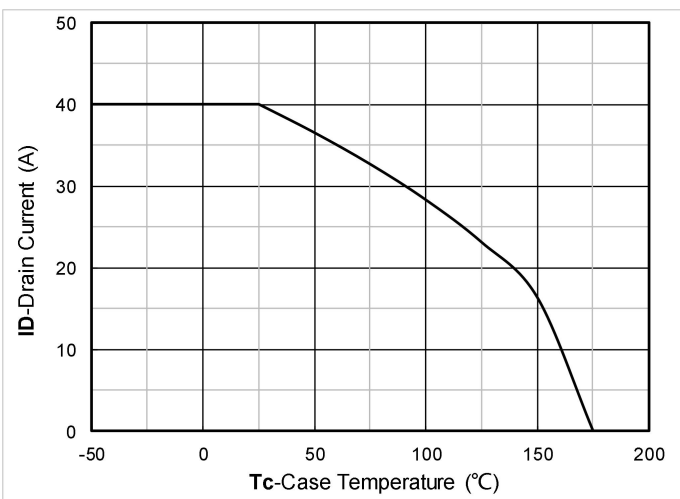


Figure 11. Current dissipation

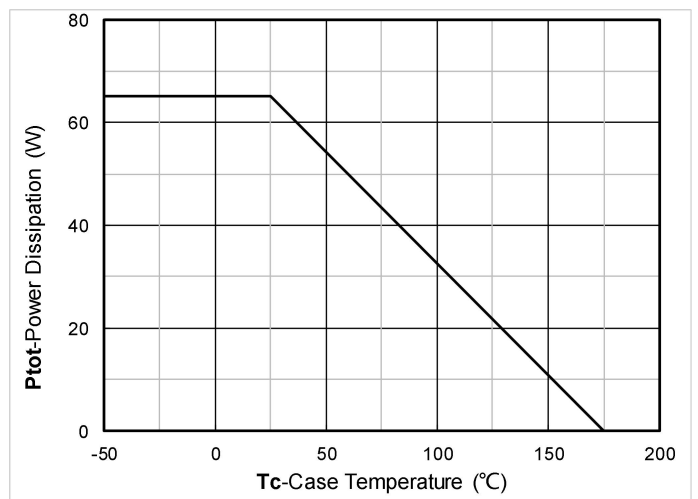


Figure 12. Power dissipation

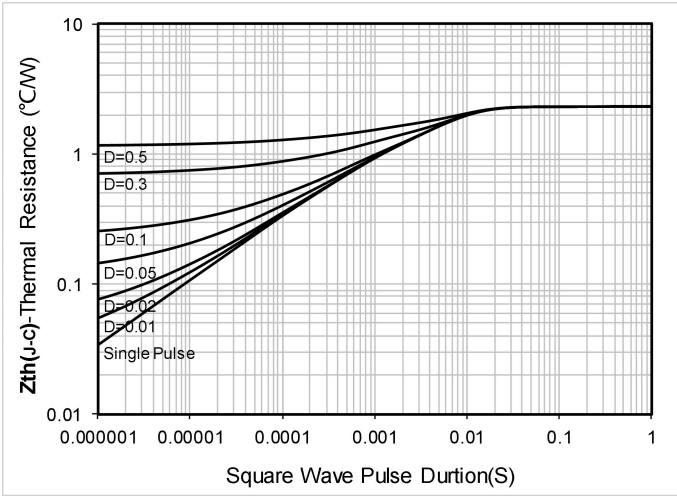


Figure 13. Maximum Transient Thermal Impedance

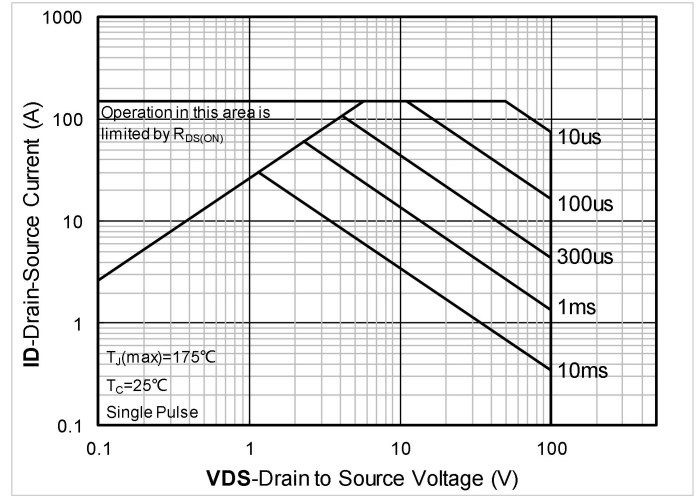


Figure 14. Safe Operation Area

■ Test Circuits & Waveforms

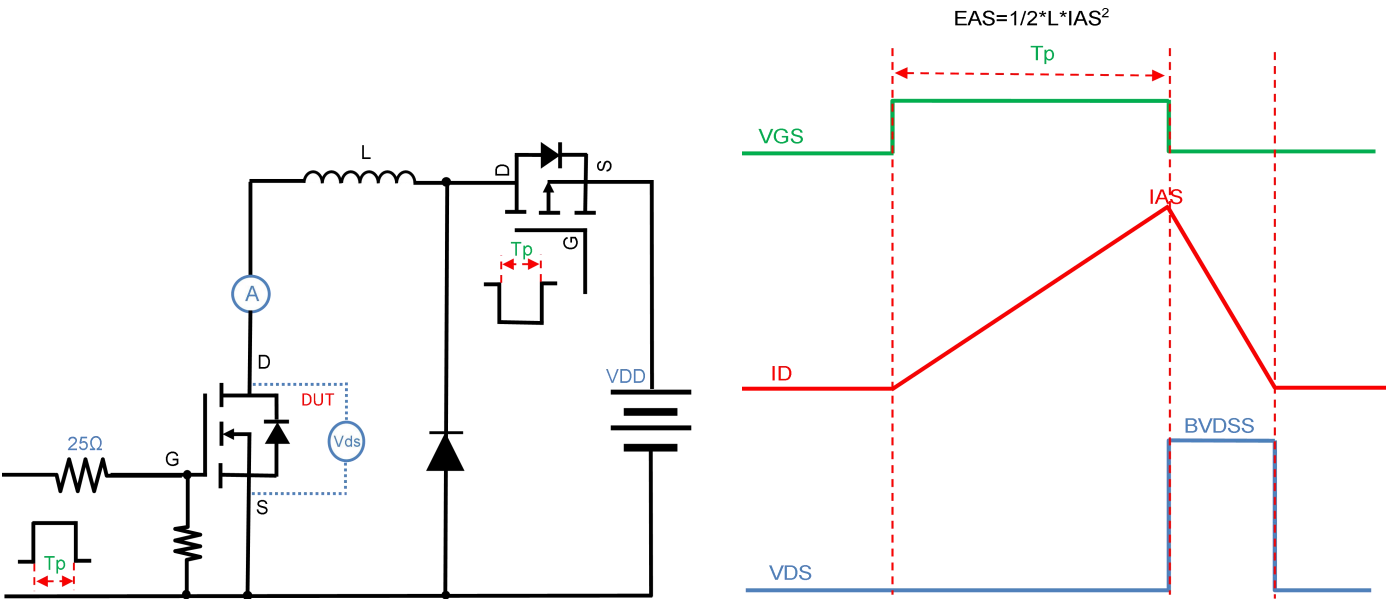


Figure A. Unclamped Inductive Switching (UIS) Test Circuit & Waveform

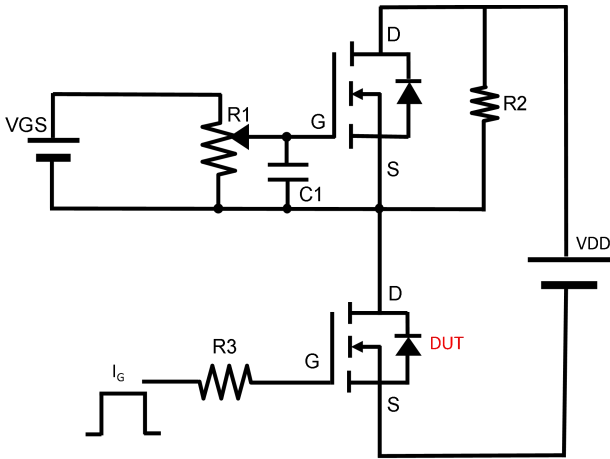


Figure B. Gate Charge Test Circuit & Waveform

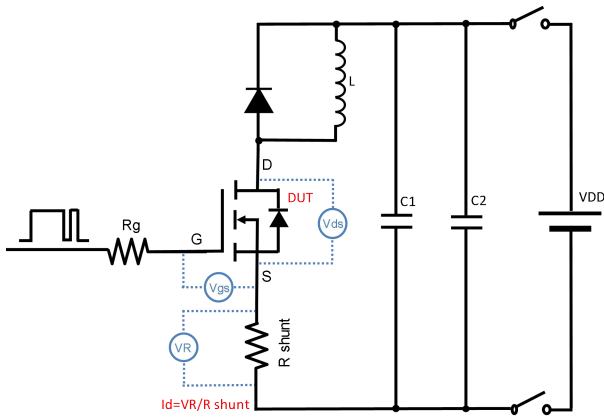


Figure C. Resistive Switching Test Circuit & Waveform

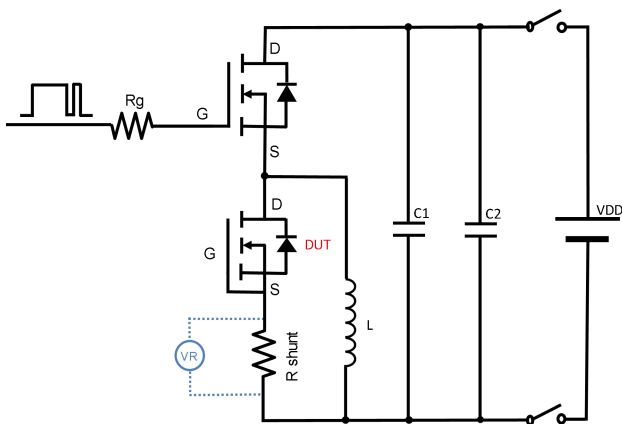
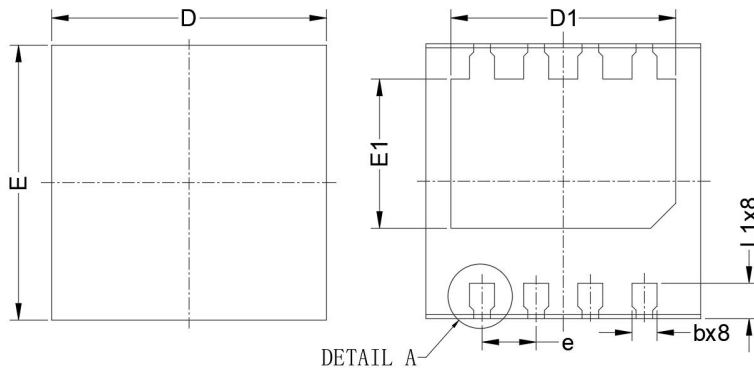


Figure D. Diode Recovery Test Circuit & Waveform



YJQ018G10AHQ

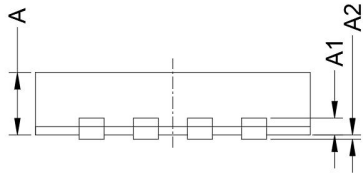
DFN3333-8L-WF Package information



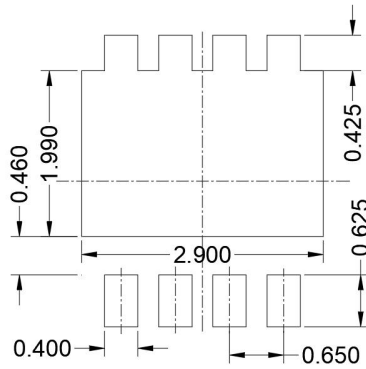
Top View
正面视图

Bottom View
背面视图

SYMBOL	MILLIMETER		
	MIN	NOM	MAX
D	3.30 BSC		
E	3.30 BSC		
A	0.70	0.75	0.80
A1	0.203 BSC		
A2			0.10
D1	2.60	2.70	2.80
E1	1.69	1.79	1.89
L1	0.325	0.425	0.525
b	0.20	0.30	0.40
e	0.65 BSC		



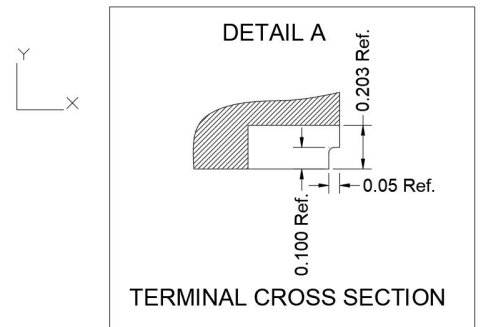
Side View
侧面视图



Suggested Solder Pad Layout
Top View

Note:

1. Controlling dimension: in millimeters.
2. General tolerance: ± 0.10 mm.
3. The pad layout is for reference purposes only.





Disclaimer

The information presented in this document is for reference only. Yangzhou Yangjie Electronic Technology Co., Ltd. reserves the right to make changes without notice for the specification of the products displayed herein to improve reliability, function or design or otherwise.

The product listed herein is designed to be used with automotive electronics, are not designed for use in medical, life-saving, lifesustaining, or military, Yangjie or anyone on its behalf, assumes no responsibility or liability for any damages resulting from such improper use of sale.

This publication supersedes & replaces all information previously supplied. For additional information, please visit our website <http://www.21yangjie.com> , or consult your nearest Yangjie's sales office for further assistance.



YJQ018G10AHQ

REV.	EFFECTIVE DATE	REVISION HISTORY	PREPARED
0.5	2024.3.15	Initial, 初版规格书 (参考数据)	Haijun Ding
0.6	2024.6.7	根据实测数据更新规格书	Yunliang Lu
1.0	2024.6.28	New release	Yunliang Lu