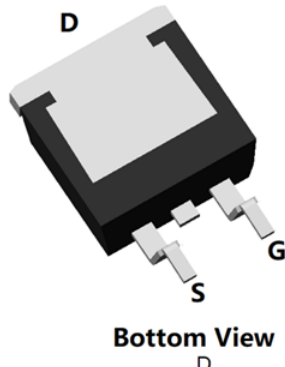
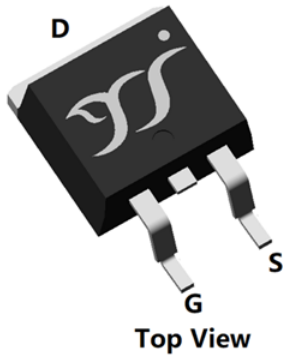
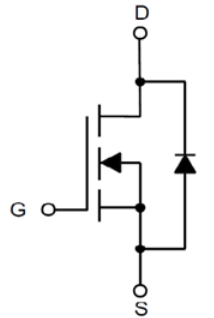


N-Channel Enhancement Mode Field Effect Transistor



TO-263



Product Summary

- V_{DS} 60V
- I_D 200A
- $R_{DS(ON)}$ (at $V_{GS}=10V$) <2.9 mohm
- $R_{DS(ON)}$ (at $V_{GS}=4.5V$) <3.9 mohm
- 100% EAS Tested
- 100% ∇V_{DS} Tested

General Description

- Split Gate Trench MOSFET technology
- Excellent package for heat dissipation
- High density cell design for low $R_{DS(ON)}$
- Moisture Sensitivity Level 1
- Epoxy Meets UL 94 V-0 Flammability Rating
- Halogen Free

Applications

- Consumer electronic power supply
- Isolated DC-DC Converters
- Motor control
- Invertors

■ Absolute Maximum Ratings ($T_A=25^\circ\text{C}$ unless otherwise noted)

Parameter	Symbol	Limit	Unit
Drain-source Voltage	V_{DS}	60	V
Gate-source Voltage	V_{GS}	± 20	V
Drain Current ^A	I_D	$T_C=25^\circ\text{C}$	200
		$T_C=100^\circ\text{C}$	125
Pulsed Drain Current ^B	I_{DM}	600	A
Avalanche energy ^C	EAS	506	mJ
Total Power Dissipation ^D	P_D	260	W
Thermal Resistance Junction-to-Case	$R_{\theta JC}$	0.48	$^\circ\text{C}/\text{W}$
Thermal Resistance Junction-to-Ambient ^E	$R_{\theta JA}$	28	
Junction and Storage Temperature Range	T_J, T_{STG}	-55~+150	$^\circ\text{C}$

■ Ordering Information (Example)

PREFERRED P/N	PACKING CODE	Marking	MINIMUM PACKAGE(pcs)	INNER BOX QUANTITY(pcs)	OUTER CARTON QUANTITY(pcs)	DELIVERY MODE
YJB200G06C	F2	YJB200G06C	800	/	8000	13" reel



YJB200G06C

■ Electrical Characteristics ($T_J=25^{\circ}\text{C}$ unless otherwise noted)

Parameter	Symbol	Conditions	Min	Typ	Max	Units
Static Parameter						
Drain-Source Breakdown Voltage	BV_{DSS}	$V_{GS}=0V, I_D=250\mu A$	60			V
Zero Gate Voltage Drain Current	I_{DSS}	$V_{DS}=60V, V_{GS}=0V$			1	μA
Gate-Body Leakage Current	I_{GSS}	$V_{GS}=\pm 20V, V_{DS}=0V$			± 100	nA
Gate Threshold Voltage	$V_{GS(th)}$	$V_{DS}=V_{GS}, I_D=250\mu A$	1.2	1.6	2.2	V
Static Drain-Source On-Resistance	$R_{DS(on)}$	$V_{GS}=10V, I_D=20A$		2.35	2.9	m Ω
		$V_{GS}=4.5V, I_D=15A$		2.9	3.9	
Diode Forward Voltage	V_{SD}	$I_S=20A, V_{GS}=0V$			1.2	V
Maximum Body-Diode Continuous Current	I_S				200	A
Dynamic Parameters						
Input Capacitance	C_{iss}	$V_{DS}=25V, V_{GS}=0V, f=100KHZ$		5950		pF
Output Capacitance	C_{oss}			1250		
Reverse Transfer Capacitance	C_{rss}			85		
Switching Parameters						
Total Gate Charge	Q_g	$V_{GS}=10V, V_{DS}=50V, I_D=50A$		93		nC
Gate-Source Charge	Q_{gs}			17		
Gate-Drain Charge	Q_{gd}			14		
Reverse Recovery Charge	Q_{rr}	$I_f=25A, di/dt=100A/us$		73		ns
Reverse Recovery Time	t_{rr}			68		
Turn-on Delay Time	$t_{d(on)}$	$V_{GS}=10V, V_{DD}=30V, I_D=25A$ $R_{GEN}=2\Omega$		22.5		ns
Turn-on Rise Time	t_r			6.7		
Turn-off Delay Time	$t_{d(off)}$			80.3		
Turn-off fall Time	t_f			26.9		

Note:

- The maximum current rating is package limited.
- Repetitive rating; pulse width limited by max. junction temperature.
- $T_J=25^{\circ}\text{C}$, $V_{DD}=80V$, $V_G=10V$, $R_G=25\Omega$, $L=0.5mH$, $I_{AS}=45A$.
- P_D is based on max. junction temperature, using junction-case thermal resistance.
- The value of $R_{\theta JA}$ is measured with the device mounted on 1 in 2 FR-4 board with 2oz. Copper, in a still air environment with $T_a=25^{\circ}\text{C}$.



■ Typical Performance Characteristics

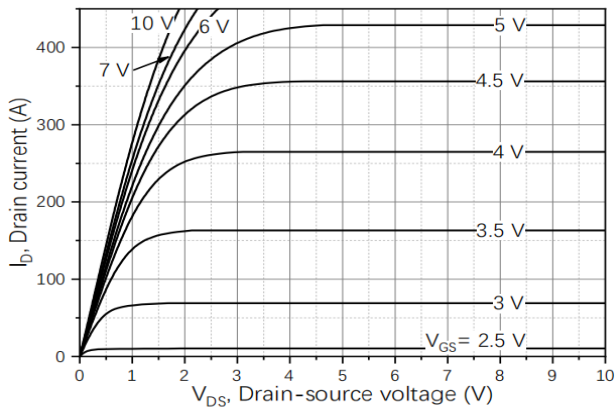


Figure1. Output Characteristics

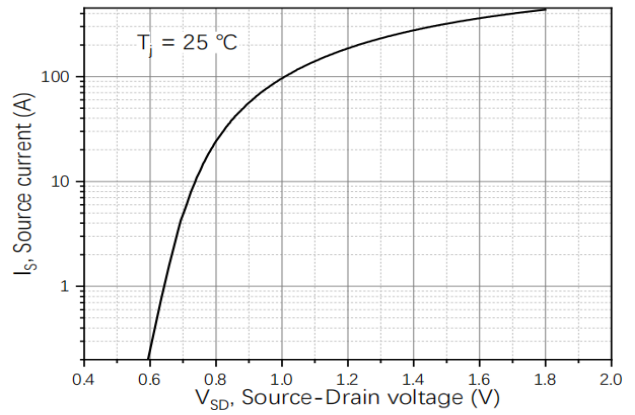


Figure2. Transfer Characteristics

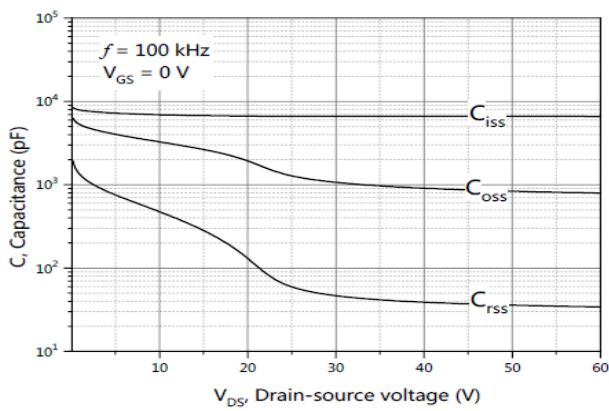


Figure3. Capacitance Characteristics

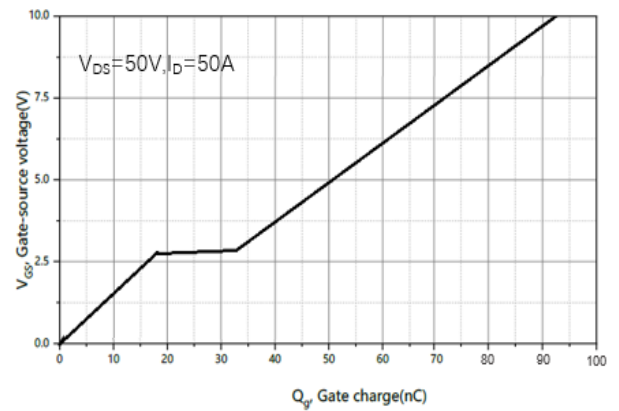


Figure4. Gate Charge

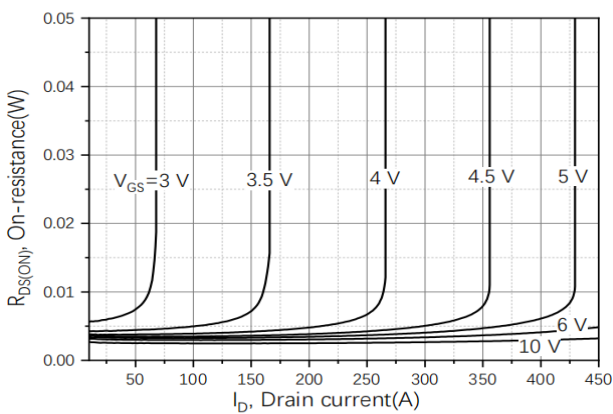


Figure5. Drain-Source on Resistance

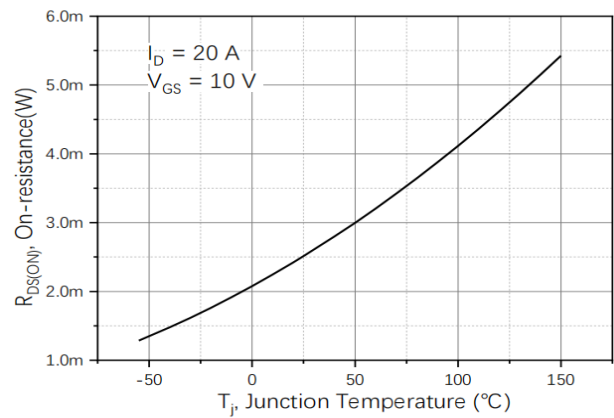


Figure6. Drain-Source on Resistance



YJB200G06C

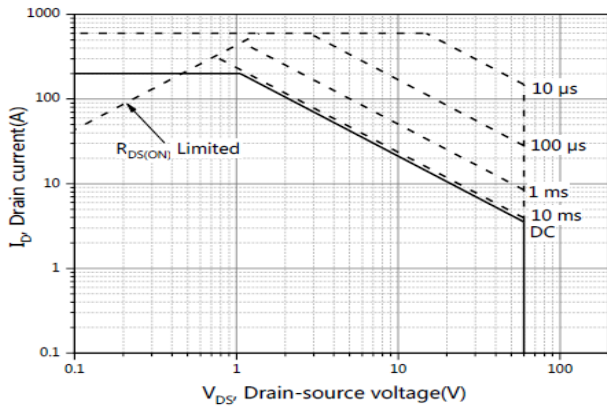


Figure7. Safe Operation Area

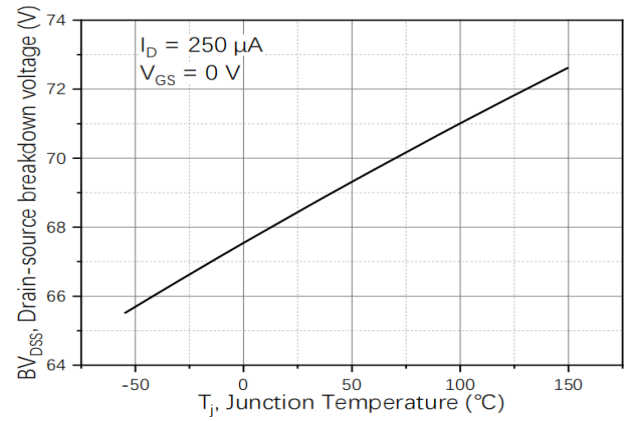


Figure8. Drain-source breakdown voltage

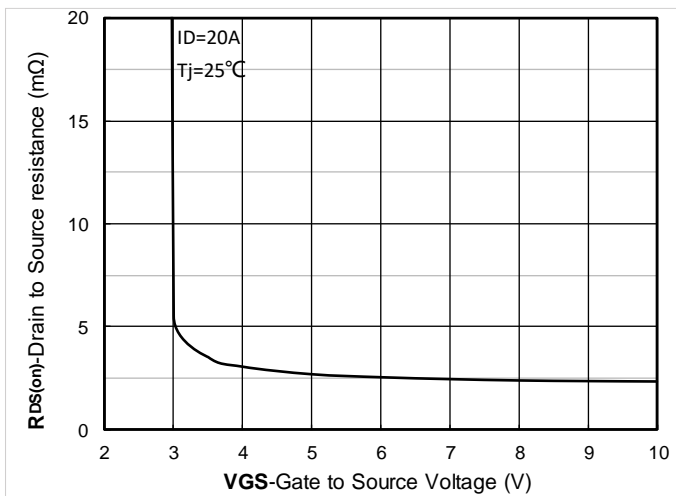


Figure9. On-Resistance vs Gate to Source Voltage

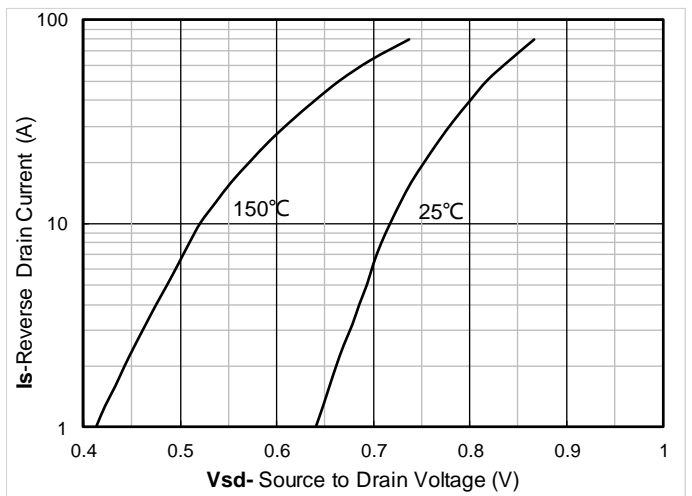


Figure10. Forward characteristics of reverse diode

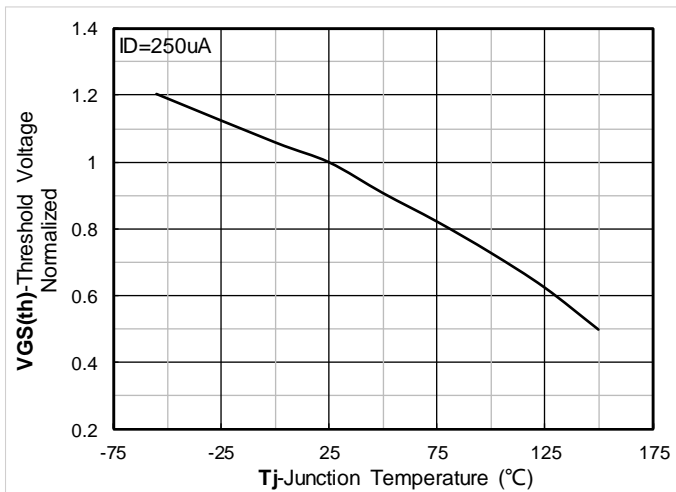


Figure11. Normalized Threshold voltage

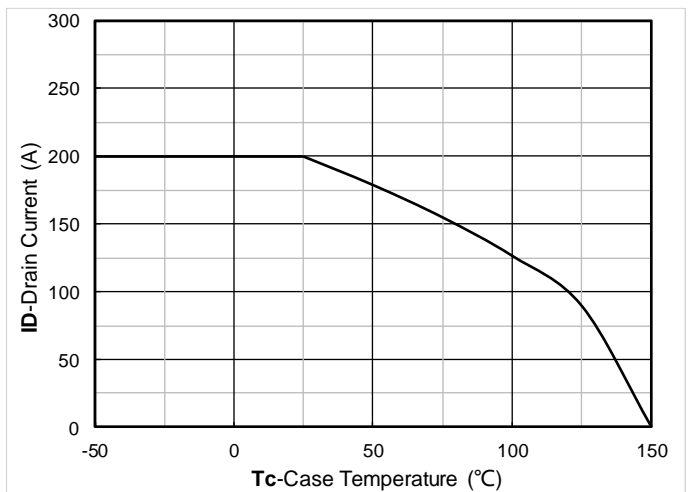


Figure12. Current dissipation

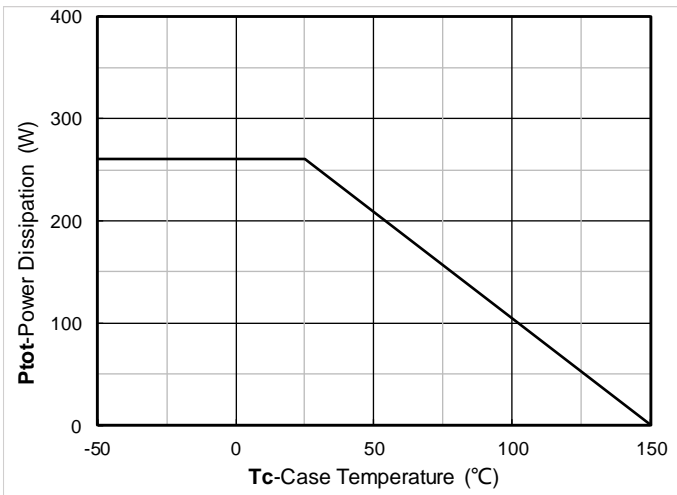


Figure13. Power dissipation

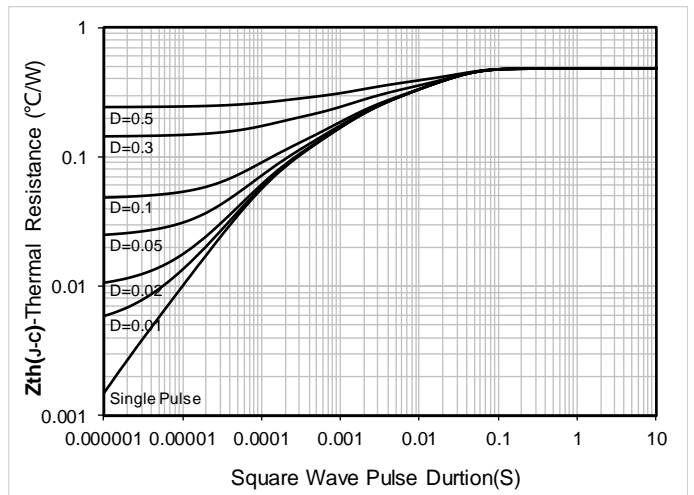


Figure14. Maximum Transient Thermal Impedance

■ Test circuits and waveforms

Figure A: Gate Charge Test Circuit & Waveforms

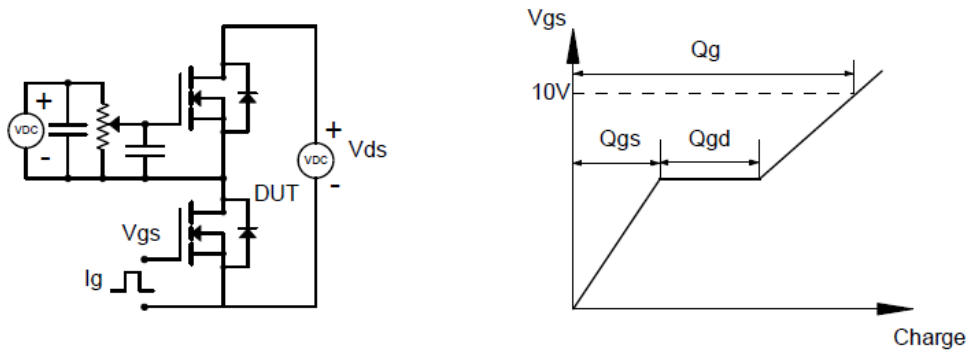


Figure B: Resistive Switching Test Circuit & Waveforms

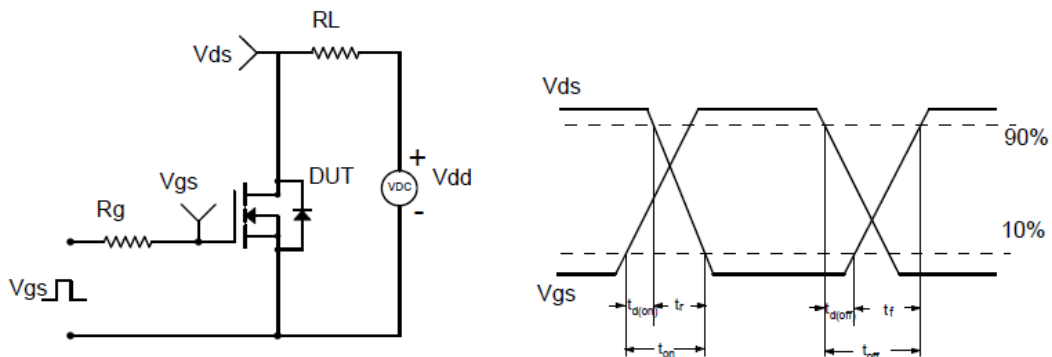


Figure C: Unclamped Inductive Switching (UIS) Test

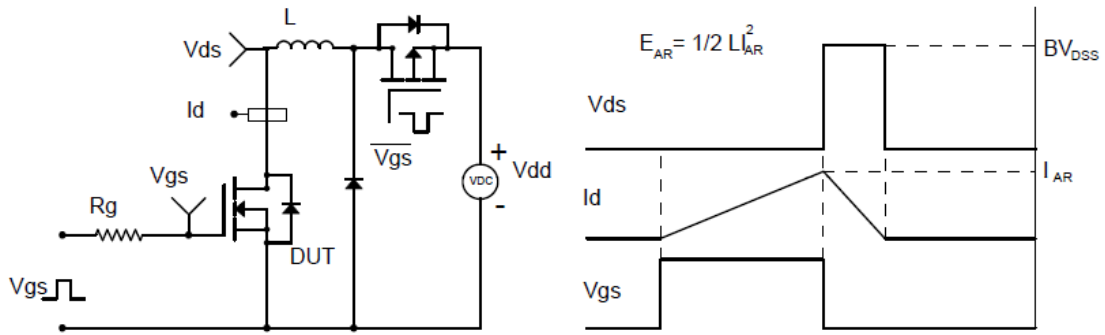
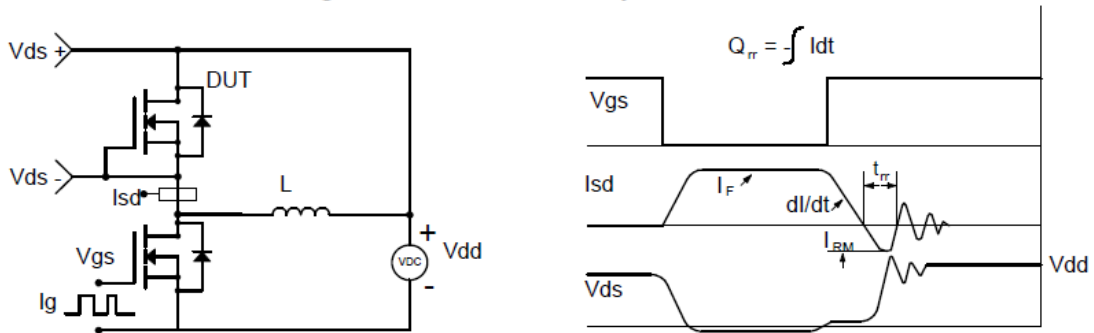


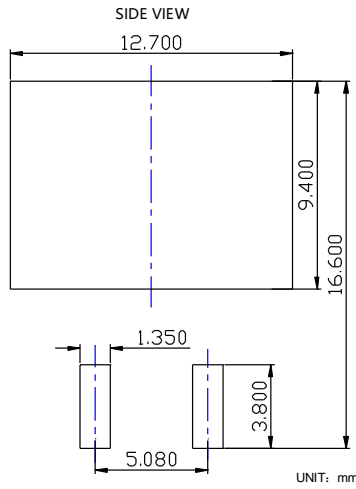
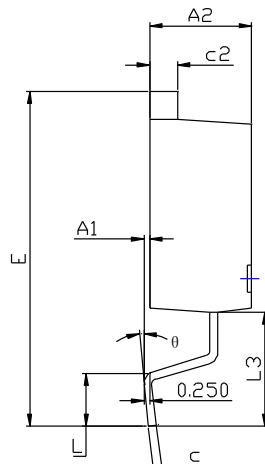
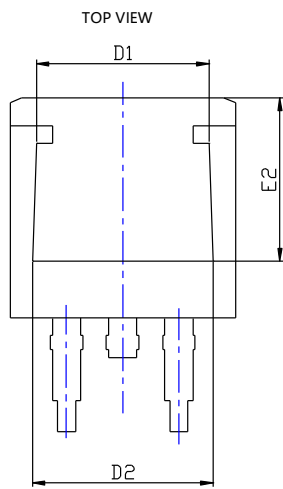
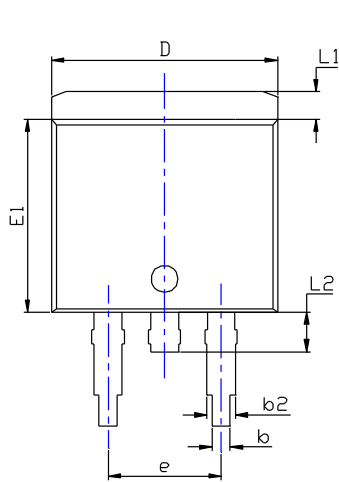
Figure D: Diode Recovery Test Circuit & Waveforms





YJB200G06C

■ TO-263-HY Package information



SYMBOL	DIMENSIONS					
	INCHES			Millimeter		
	MIN.	NDM.	MAX.	MIN.	NDM.	MAX.
A1	0.000	---	0.010	0.000	---	0.250
A2	0.174	0.180	0.186	4.430	4.580	4.730
b	0.028	0.032	0.036	0.720	0.820	0.920
b2	0.046	0.050	0.054	1.180	1.280	1.380
c	0.013	0.015	0.018	0.330	0.390	0.450
c2	0.048	0.050	0.053	1.220	1.280	1.340
D	0.394	0.400	0.406	10.000	10.150	10.300
D1	0.295	0.307	0.319	7.500	7.800	8.100
D2	0.303	0.315	0.327	7.700	8.000	8.300
E	0.571	0.591	0.610	14.500	15.000	15.500
E1	0.337	0.341	0.348	8.550	8.700	8.850
E2	0.276	0.287	0.299	7.000	7.300	7.600
e	0.200BSC			5.080BSC		
L	0.070	---	0.110	1.790	---	2.790
L1	0.044	---	0.056	1.120	---	1.420
L2	0.030	---	0.070	0.770	---	1.770
L3	0.197REF			5.000REF		
θ	0°	---	8°	0°	---	8°

NOTE:

1. PACKAGE BODY SIZES EXCLUDE MOLD FLASH AND GATE BURRS.
2. TOLERANCE 0.1mm UNLESS OTHERWISE SPECIFIED.
3. THE PAD LAYOUT IS FOR REFERENCE PURPOSES ONLY.



YJB200G06C

Disclaimer

The information presented in this document is for reference only. Yangzhou Yangjie Electronic Technology Co., Ltd. reserves the right to make changes without notice for the specification of the products displayed herein to improve reliability, function or design or otherwise.

The product listed herein is designed to be used with ordinary electronic equipment or devices, and not designed to be used with equipment or devices which require high level of reliability and the malfunction of which would directly endanger human life (such as medical instruments, transportation equipment, aerospace machinery, nuclear-reactor controllers, fuel controllers and other safety devices), Yangjie or anyone on its behalf, assumes no responsibility or liability for any damages resulting from such improper use of sale.

This publication supersedes & replaces all information previously supplied. For additional information, please visit our website [http:// www.21yangjie.com](http://www.21yangjie.com) , or consult your nearest Yangjie's sales office for further assistance.